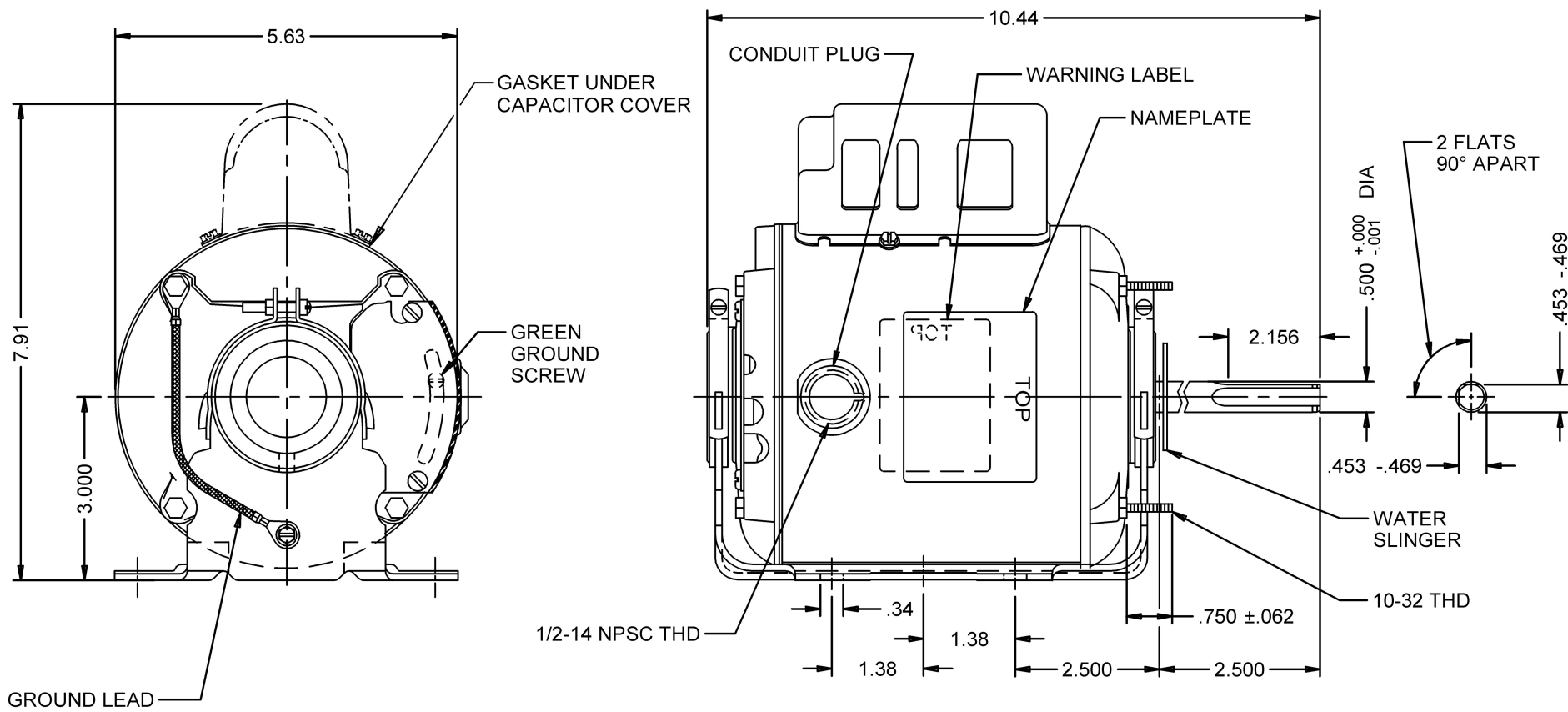




Catalog #: FD13AA2P4Z9

Model_Number:	K055LKY3773022B
PRODUCT NAME:	.33 HP - TEAO - 1700
PHASETYPE:	1_PERMANENT SPLIT CA
MOTOR ENCLOSURE:	TEAO
HORSEPOWER:	.33
KILOWATTS:	0.3
POLES:	4
NUMBER SPEEDS:	1
RPM:	1700
HERTZ:	60
VOLTS PRIMARY:	115/230 V
VOLTS :	115
VOLTS 2:	230
FRME :	48
SHAFT CODE:	Z
STATOR DIAMETER:	5.5
STACK:	2
MOUNTING:	RESILIENT
MOTOR TYPE:	FHP
OPPOSITE END BEARING:	BALL
SHAFT END BEARING:	BALL
AMBIENT:	40
ROTATION:	CCW LEAD END REV
SERVICE FACTOR:	1
RUNCAPMFD:	10
RUNCAPVOLTS:	370
SHIPPING WEIGHT:	19
THERMAL PROTECTION:	AUTOMATIC RESET
BREAKDOWN TORQUE:	42.41
BREAKDOWN TORQUE UOM:	OZFT
LOCKED ROTOR TORQUE:	8.527
LOCKED ROTOR TORQUE UOM:	OZFT
INSULATION CLASS:	B
KVA CODE LETTER:	G
LOCKED ROTOR AMPS:	15.2
NEMA NOMINAL EFFICIENCY:	63.6
FULL LOAD AMPS PRIMARY:	3.8/1.9
SERVICE FACTOR AMPS PRIMARY:	3.8/1.9



SHIPPED DETACHED
1- SHAFT ADAPTER KIT

NIDEC MOTOR CORPORATION 26-Sep-12

MODEL	REF	CUSTOMER	HP	VOLTS	AMPS	HZ	RPM	ROTATION	CUSTOMER PN
K55HXLKY-3773	--	USEM	1/3	115/230	3.8/1.9	60	1700	CCW LEAD END REV.	FD13AA2P4Z9S

SHEET NUMBER	REV	REVISION RECORD FOR: C6320-00	
1 OF 1	F	UPDATED "ENGINEER APPROVED" TO R. BASTIEN	
REVISION DATE			
26-SEP-12			
ISSUED BY	REVIEWED BY	ENGINEER APPROVED	REV. F
B. ANDRADE	M. LARGENT	R. BASTIEN	

INFORMATION DISCLOSED ON THIS DOCUMENT IS CONSIDERED PROPRIETARY AND SHALL NOT BE REPRODUCED OR DISCLOSED WITHOUT WRITTEN CONSENT OF NIDEC MOTOR CORPORATION

NIDEC MOTOR CORPORATION

ALL DIMENSIONS ARE FOR REFERENCE ONLY UNLESS TOLERANCE IS GIVEN

TITLE	CODE	ITEM NO.	SIZE
ASSEMBLED VIEW	V01	755377	A

Special Application Farm Direct Drive Poultry Fan



APPLICATIONS:

For direct drive exhaust and vent fans in poultry and livestock houses.

FEATURES:

- Continuous Duty
- PSC Models Include Capacitor Mounted With Cover
- Clockwise Drive End Rotation
- Automatic Reset Thermal Overload Protection
- Studs For Mounting Fan Guard
- 1.0 Service Factor Except Where Noted
- Terminal Board With Side Conduit Plug Unless Noted
- **Discount Symbol: DS-3HAC**

Yoke Mount, Welded Tab Fan Motors; Single Phase

HP	RPM/ Spds	Voltage	Frame	Catalog Number	List	Discount Symbol	Amps	Motor Type	Bearings	Enclosure	Ship Wt. (lbs)	Notes
1/4	1100 / 2	115	48Y	1931*	\$384	DS-3HAC	3.0	PSC	Slv	TEAO	18	
	1075 / 2	115	48Y	1933	\$405	DS-3HAC	5.7	PSC	Ball	OAO	19	
	1075 / 2	115	48YZ	1917**	\$415	DS-3HAC	4.2	PSC	Ball	TEAO	17	
1/3	1075 / 2	115	48Y	1935	\$218	DS-3FMP	5.3	PSC	Ball	TEAO	17	
1/2	1075 / 2	115	48Y	1838	\$456	DS-3HAC	5.8	PSC	Ball	TEAO	25	
	1075 / 2	115	48Y	1924	\$489	DS-3HAC	7.2	PSC	Ball	TEAO	22	
	1075 / 2	115	48YZ	1937	\$463	DS-3HAC	7.1	PSC	Ball	TEAO	17	
	825 / 1	115	48YZ	1940	\$344	DS-3HAC	6.4	PSC	Ball	TEAO	25	
	825 / 1	115/230	48YZ	1380	\$370	DS-3HAC	6.9/3.4	PSC	Ball	TEAO	22	

Yoke Mount, Welded Tab Fan Motors; Three Phase

HP	RPM/ Spds	Voltage	Frame	Catalog Number	List	Discount Symbol	Amps	Bearings	Enclosure	Ship Wt. (lbs)	Notes
1/2	825/700/1	230/460	48YZ	FD12EA4B4Z7	\$435	DS-3HAC	2.3/1.2	Ball	TEAO	22	03

Note 03 60/50 Hz rated with no derate on HP 230/460 volt 60 Hz ratings operate on 190/380 volt 50 Hz, 460V 60 Hz ratings operate on 380V 50 Hz; Full 60 & 50 Hz data on Nameplate

* Catalog # 1931 has 1/2" diameter shaft 3" long

** Catalog # 1917 has 1/2" diameter shaft 2.5" long